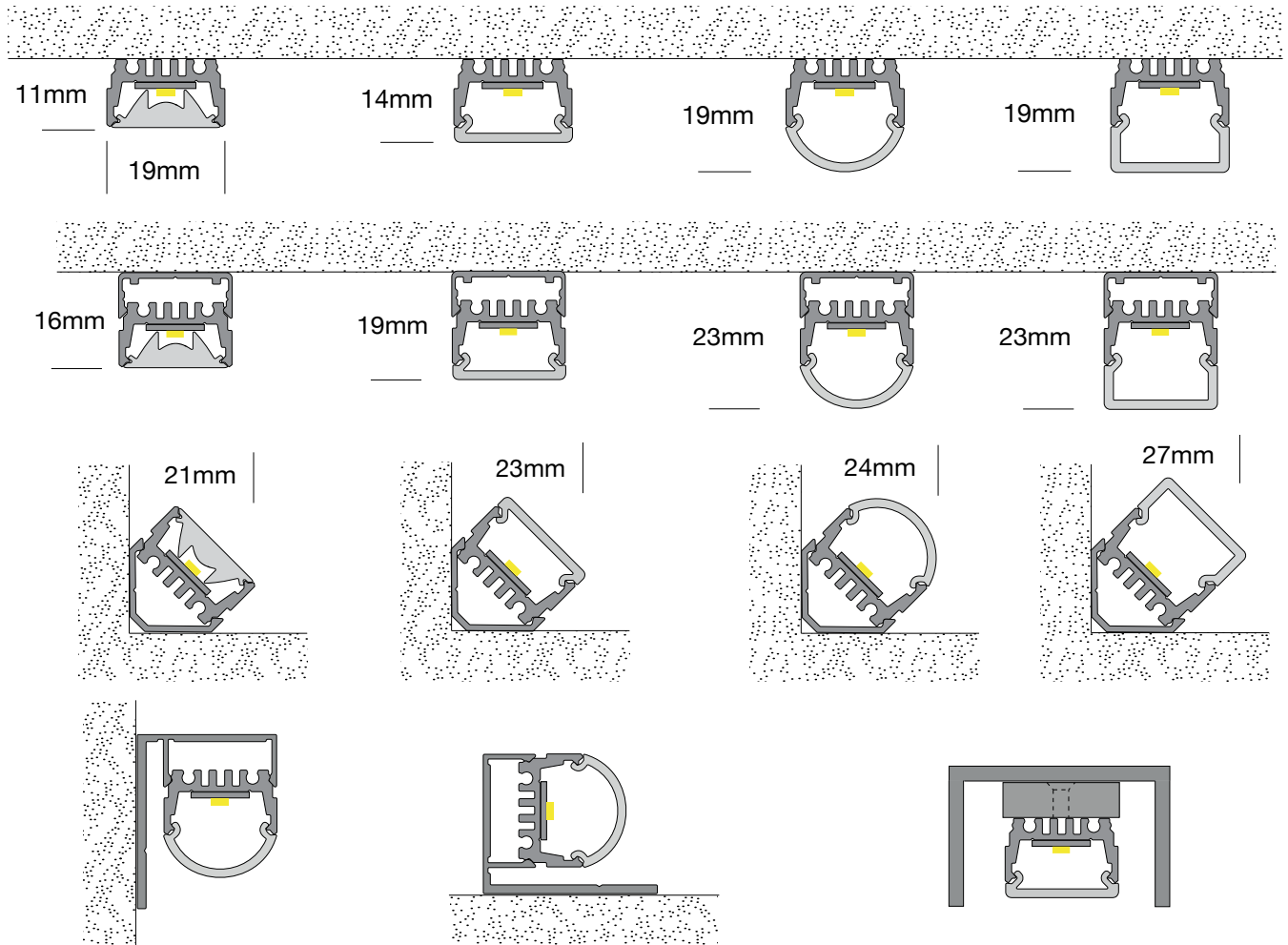


# Übersicht Leuchtenprofile

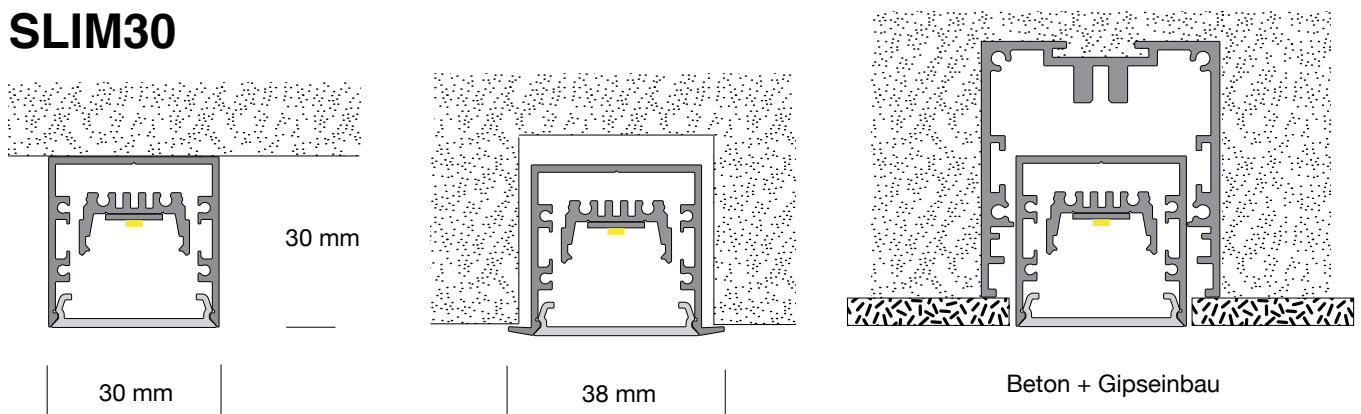


**Mextar**

## SLIM20



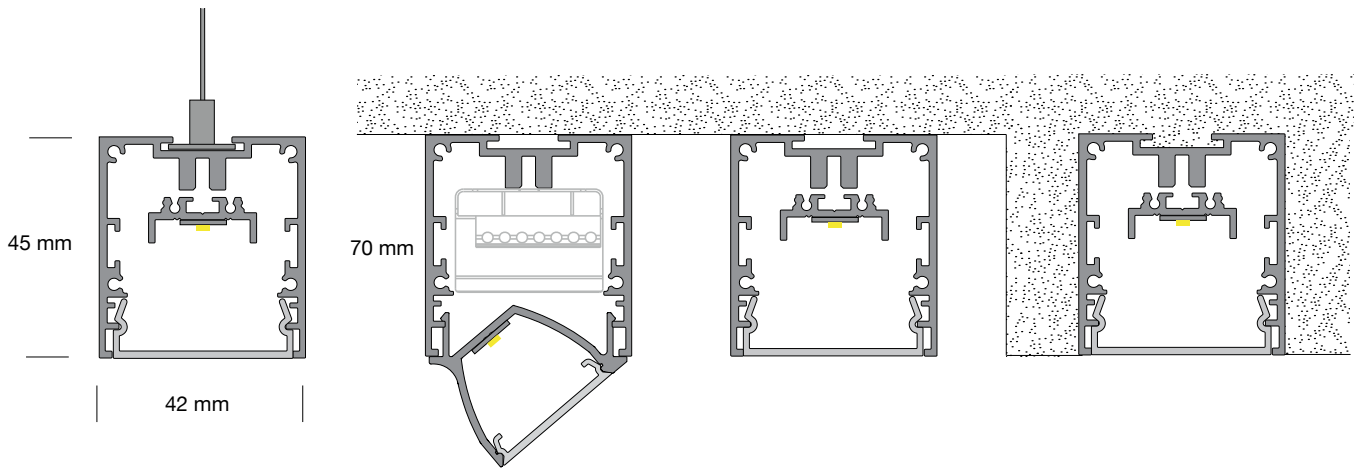
## SLIM30



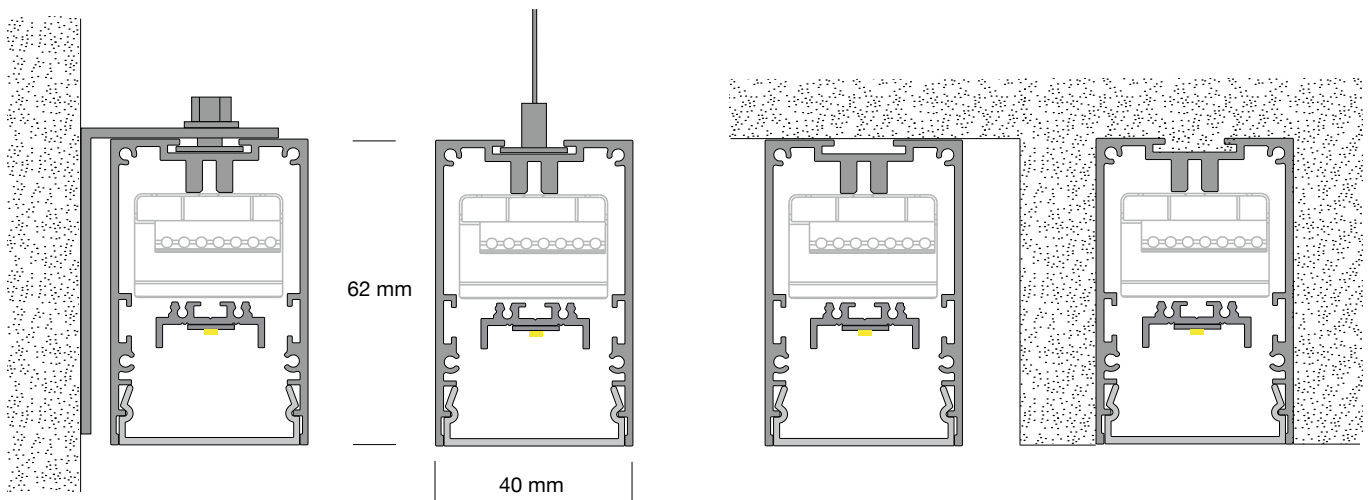


Mextar

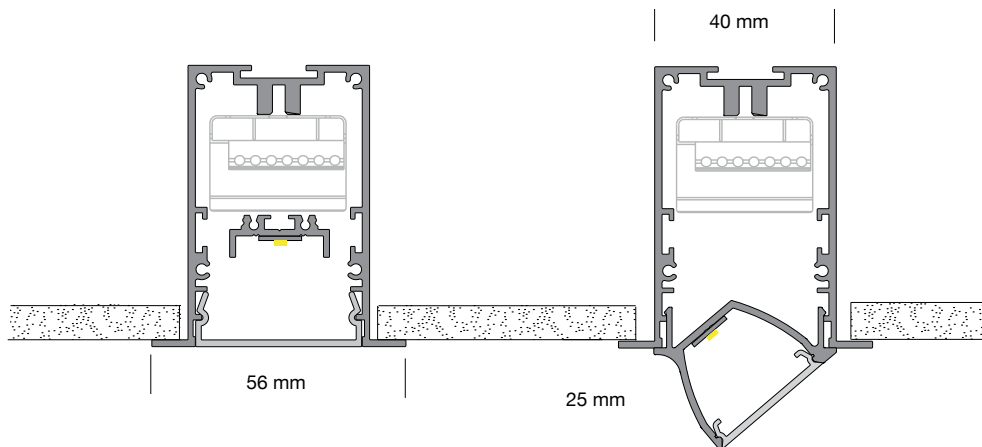
## SLIM42



## VARIO40



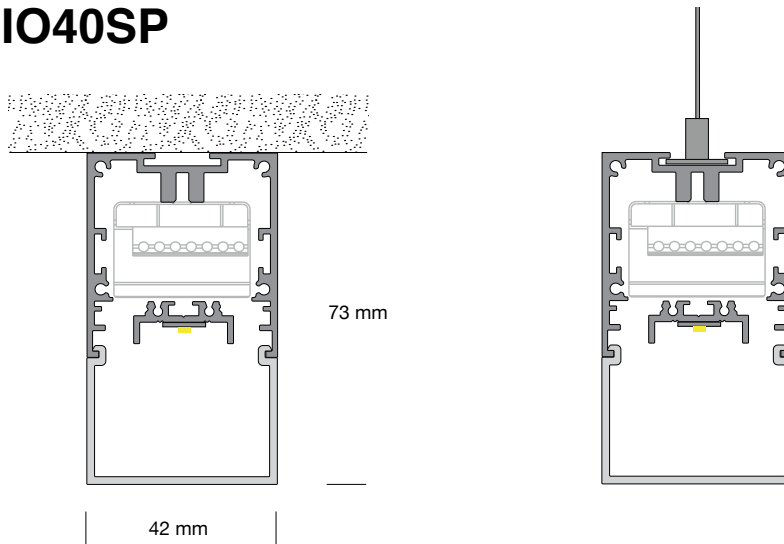
## VARIO40R



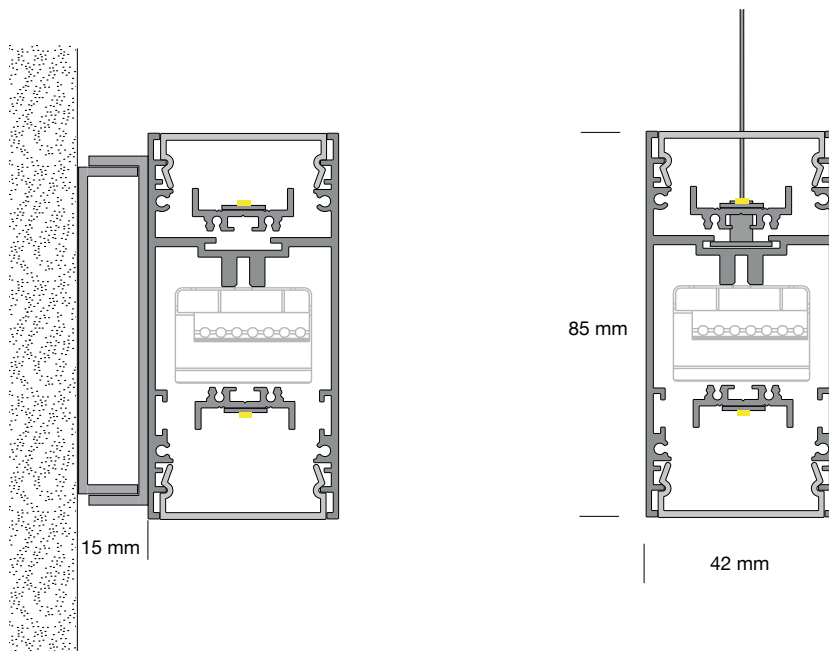
# VARIO40SP



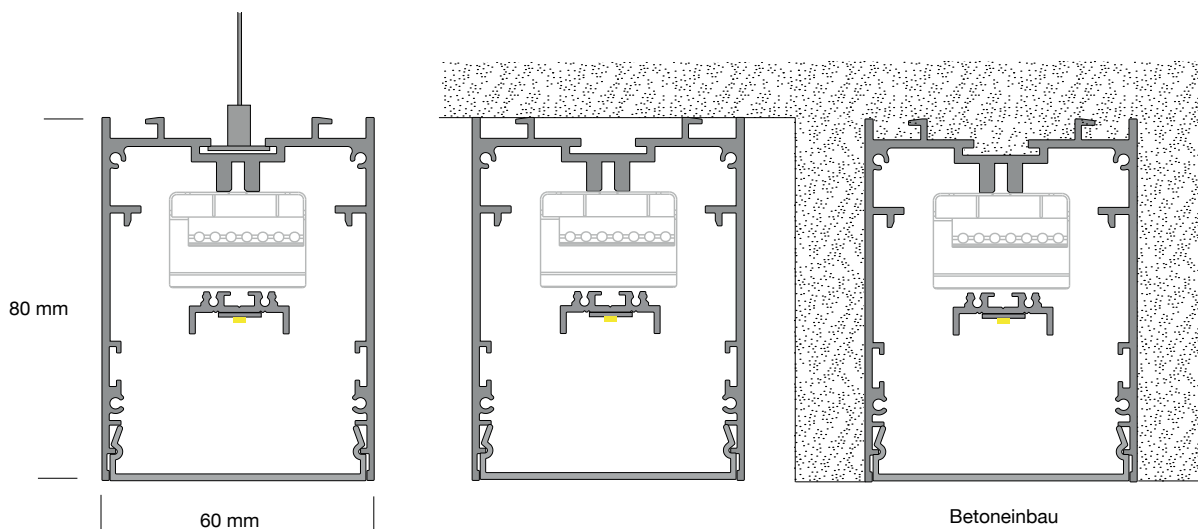
Mextar



# VARIO40DI



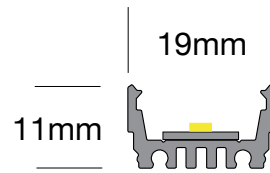
# VARIO60





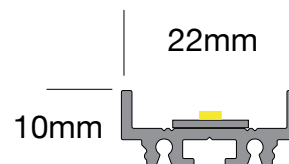
Mextar

# SLIM LED-Module



CCT [K]	Flux [lm/m]	Leistung [W/m]	CRI [Ra]	Effizienz [lm/W]	Profillänge [mm]	EVG
2200	1800	18	>80	130	5000	CV
2400	1800	14	>80	125	5000	CV
2700	600..2500	5..18	>80	140	5000	CV
	600..2500	6..22	>90	120	5000	CV
	600..4000	3..20	>80	200	4000	CC
3000	600..2500	5..18	>80	145	5000	CV
	600..2500	6..22	>90	125	5000	CV
	600..4000	3..20	>80	205	5000	CC
4000	600..2500	5..18	>80	150	5000	CV
	600..2500	6..22	>90	130	5000	CV
	600..4000	3..20	>80	210	4000	CC
TW 2200..4000	1800	18	>80	130	5000	CV
TW 2700..6500	2300	18	>80	130	5000	CV
	2000	18	>90	110	5000	CV
	500..3000	3..17	>90	180	3000	CC
RGB+3000	1400	20	>90	110	5000	CV
RGB+4000	1500	20	>90	110	5000	CV

# VARIO LED-Module



CCT [K]	Flux [lm/m]	Leistung [W/m]	CRI [Ra]	Effizienz [lm/W]	Profillänge [mm]	EVG
2700	600..4000	3..20	>80	200	4000	CC
3000	600..4000	3..20	>80	205	4000	CC
4000	600..4000	3..20	>80	210	4000	CC
TW 2200..4000	1800	18	>80	130	4000	CV
TW 2700..6500	500..3000	3..17	>90	180	3000	CC
RGB+3000	1400	20	>90	110	4000	CV
RGB+4000	1500	20	>90	110	4000	CV